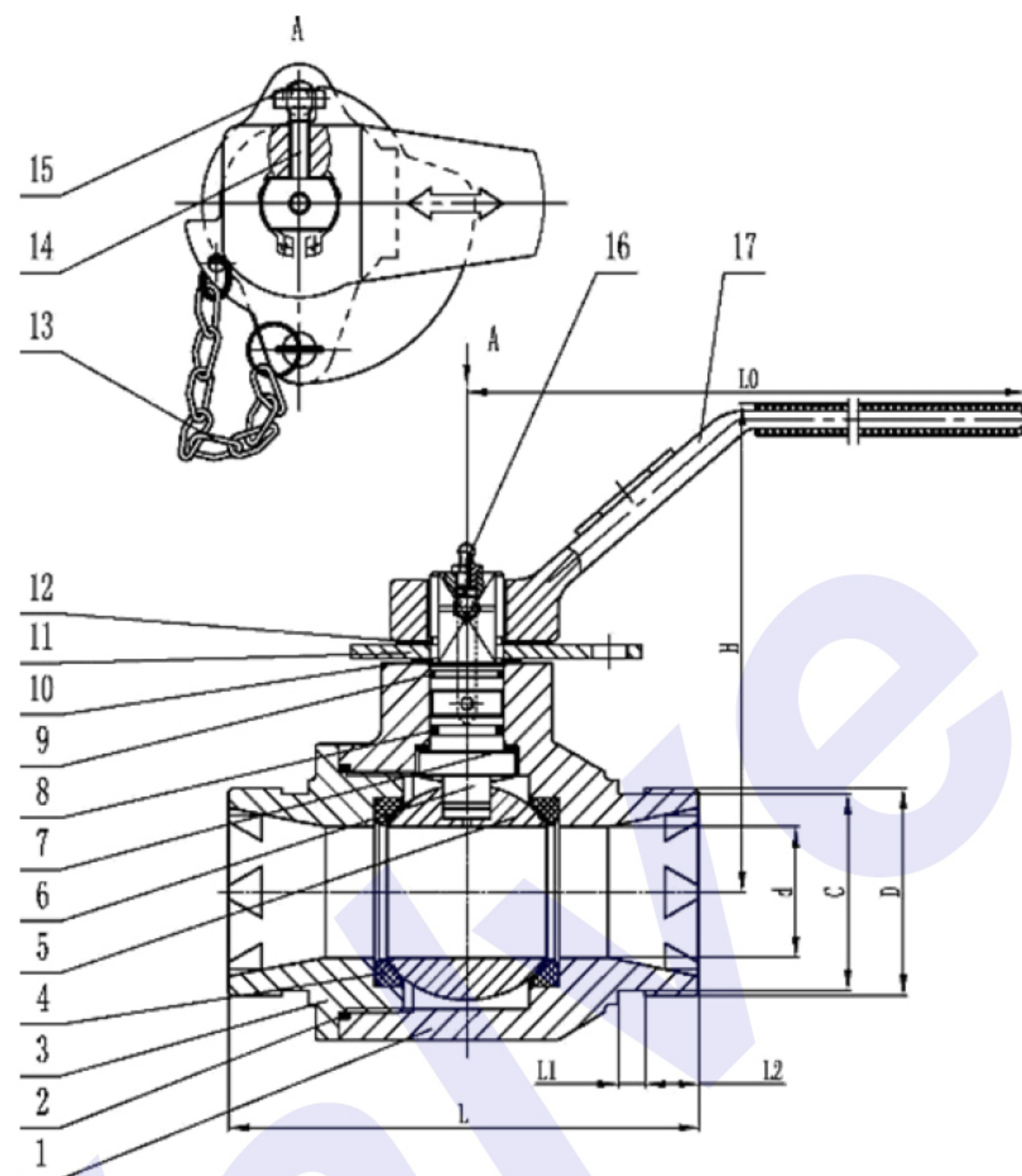
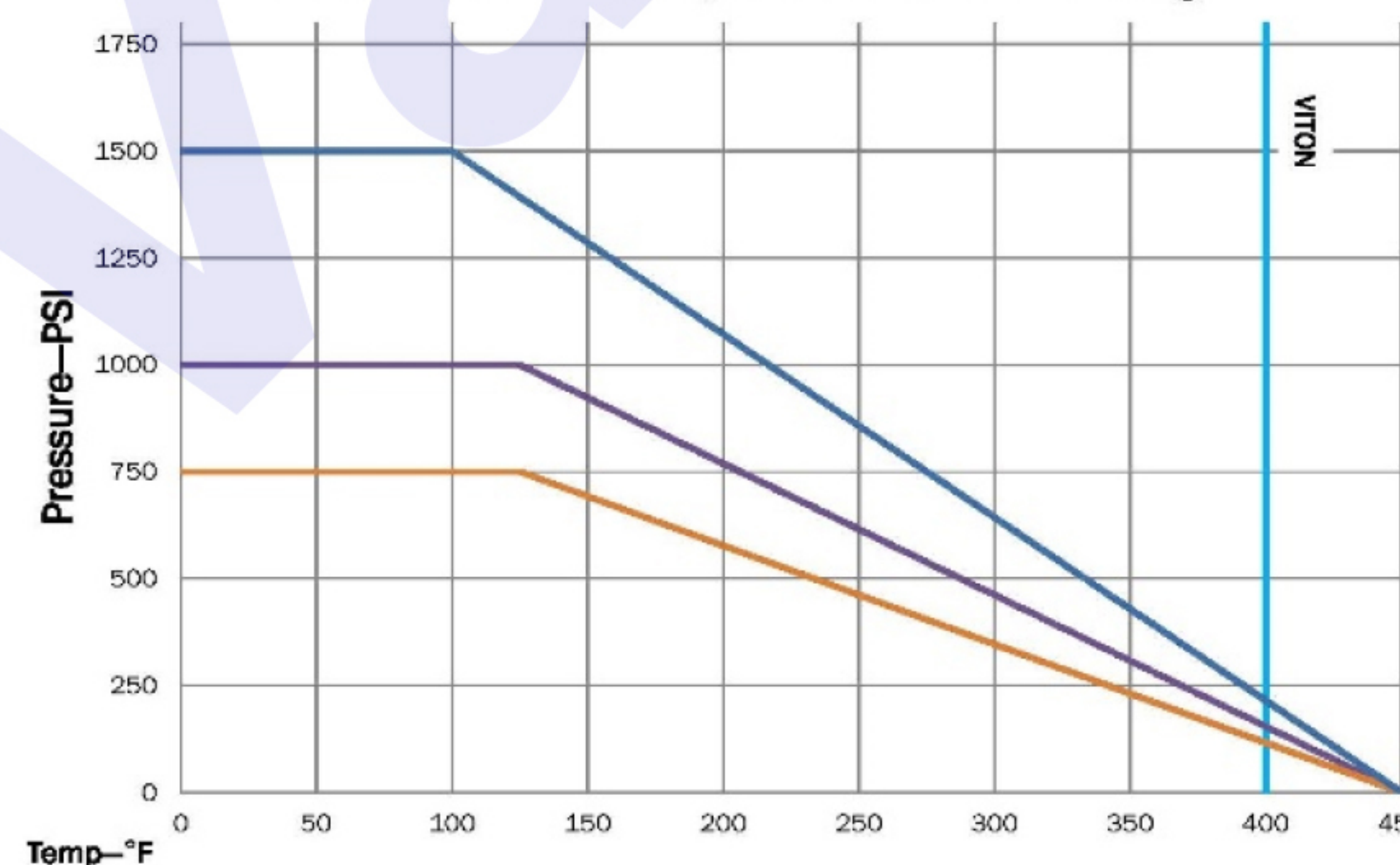


### KGD-SERIES



**Pressure Temperature Ratings**



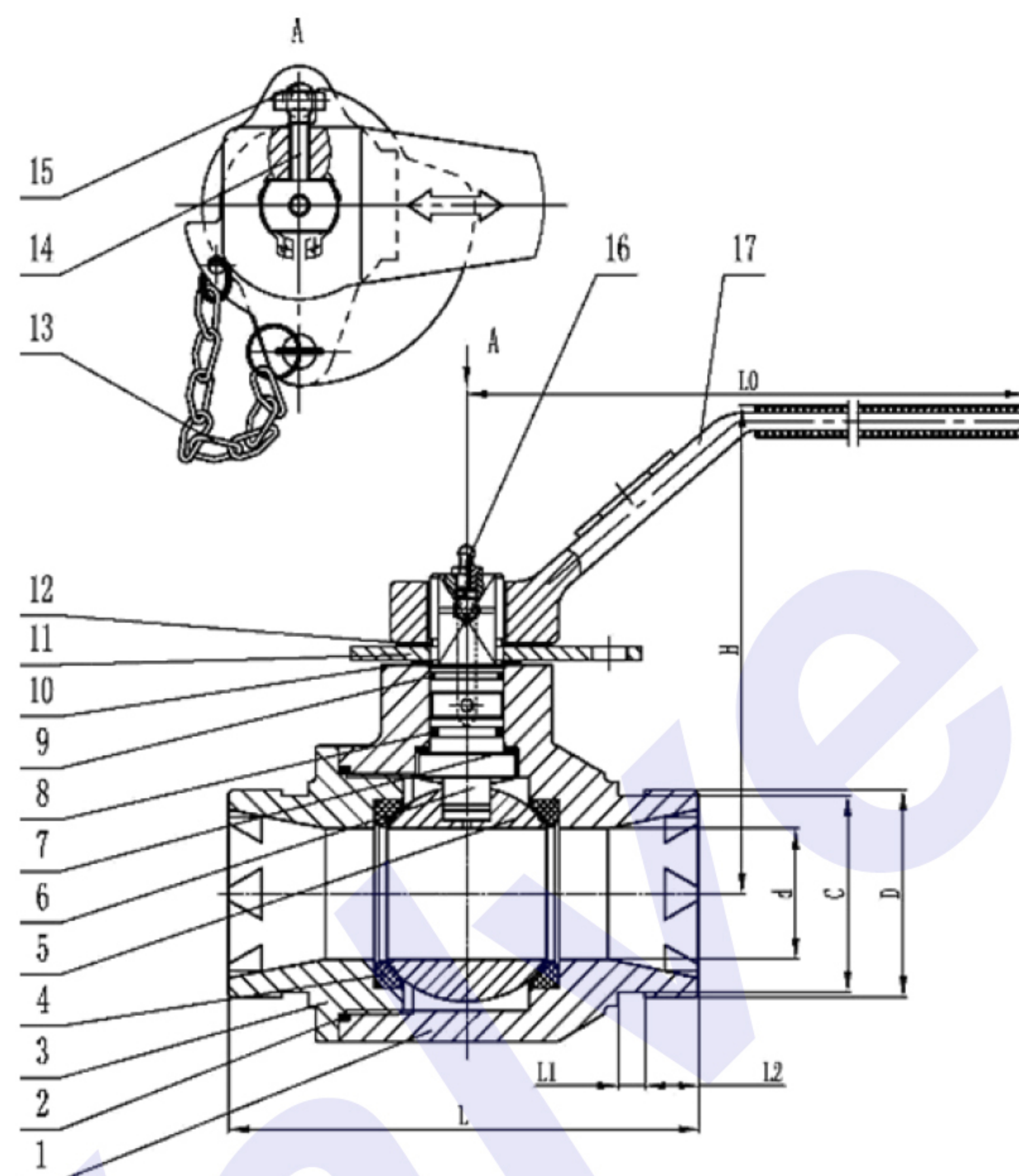
#### Product Description

This is a ball valve for oil field, including a ball valve body and a valve tube. The left and right sides of the ball valve body are equipped with valve tubes. The right side of the inner cavity of the ball valve body is equipped with a second slide rail. The valve rod runs through the ball valve body. A stable block is installed at the top of the valve rod, a handwheel is fixedly installed at the top of the stable block, and a limit device is installed in the inner cavity of the valve rod.

#### Structural Features

- HIGH GRADE DUCTILE IRON WITH BETTER CORROSION RESISTANCE AND GREATER YIELD STRENGTH
- 2", 3", 4" RPTFE SEAT, 6" DELRIN SEAT
- STANDARD PORT
- NACE VALVES INCIUDE 316 STAINLESS STEEL BALL AND STEM
- LOCKING DEVICE STANDARD
- GROOVED DIMENSIONS CONFORM TO ANSI/AWWA C606

### KGD-SERIES



#### Materials of main parts

No	Part	Material
1	BODY	ASTM A395
2	BODY SEAL	VITON
3	BOONET	ASTM A395
4	SEATS	PTFE+15%GF/DELTRIN
5	BALL	ASTM A182 F316
6	STEM	ASTM A276 316
7	STEM BEARING	PTFE
8	STEM SEAL	VITON
9	STEM SEAL	VITON
10	THRUST BEARING	PTFE
11	STOP PLATE	CS+Ni
12	RETAINER RING	SPRING STEEL
13	PIN WITH CHAIN	STAINLESS STEEL
14	BOLTS	CARBON STEEL
15	SCREW	SPRING STEEL
16	GREASE ZERK	CARBON STEEL
17	HANDLE	DUCTILE IRON

#### Dimensions(in)

Size	Pressure	L	D	C	d	L1	L2	H	Lo	Weight (Lbs)	Torque (in.Lb)
2"	1500PSI	5.51	2.375	2.25	1.5	0.31	0.63	5.59	8.5	9.46	710
3"	1500PSI	6.73	3.5	3.344	2	0.31	0.63	5.51	10	17.2	945
4"	1500PSI	8.27	4.5	4.334	3	0.37	0.63	6.83	13.5	35.94	2155