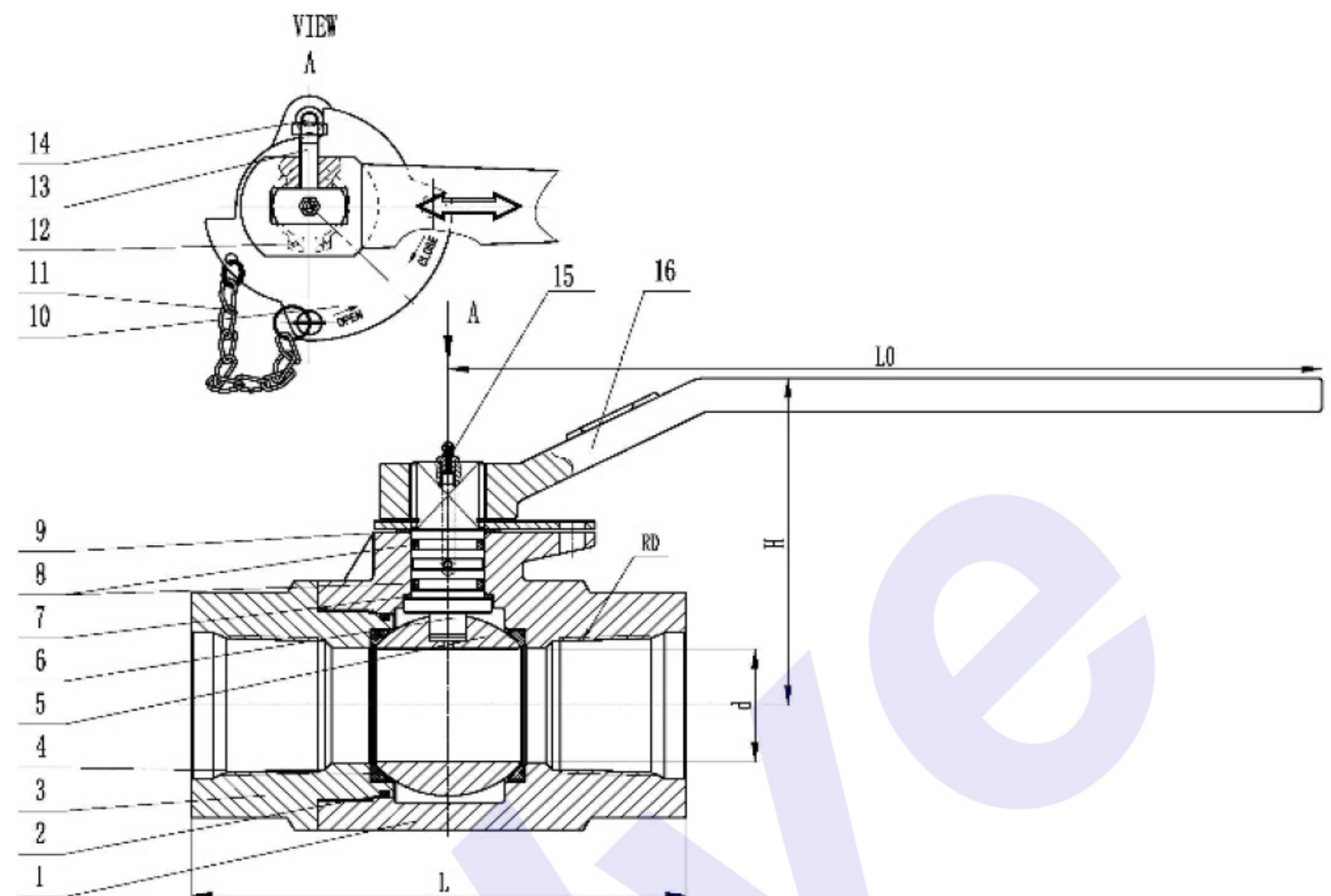
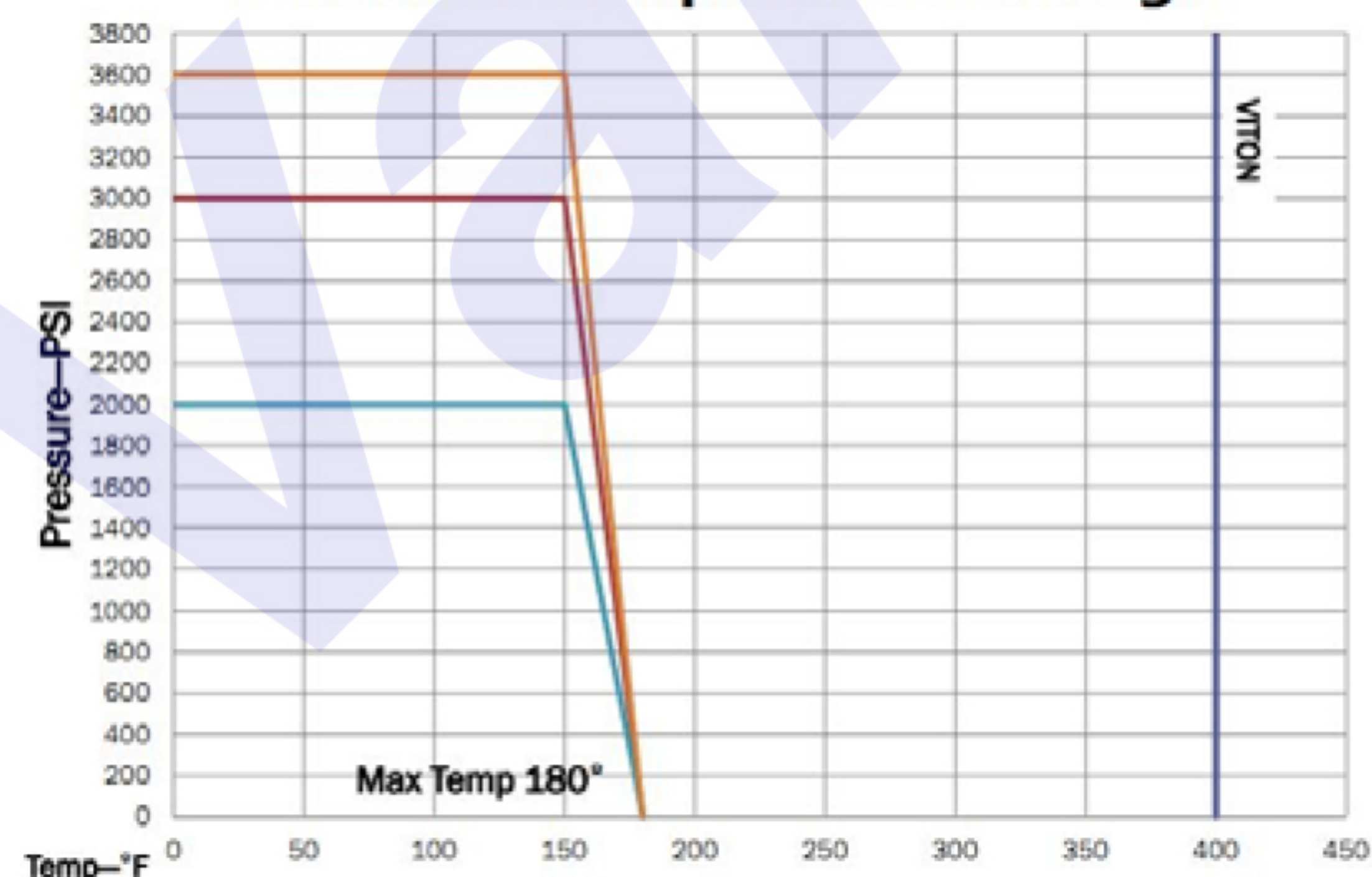


KOSEN OIL FIELD STAINLESS STEEL BALL VALVE

KBS-FP SERIES



Pressure Temperature Ratings



Product Description

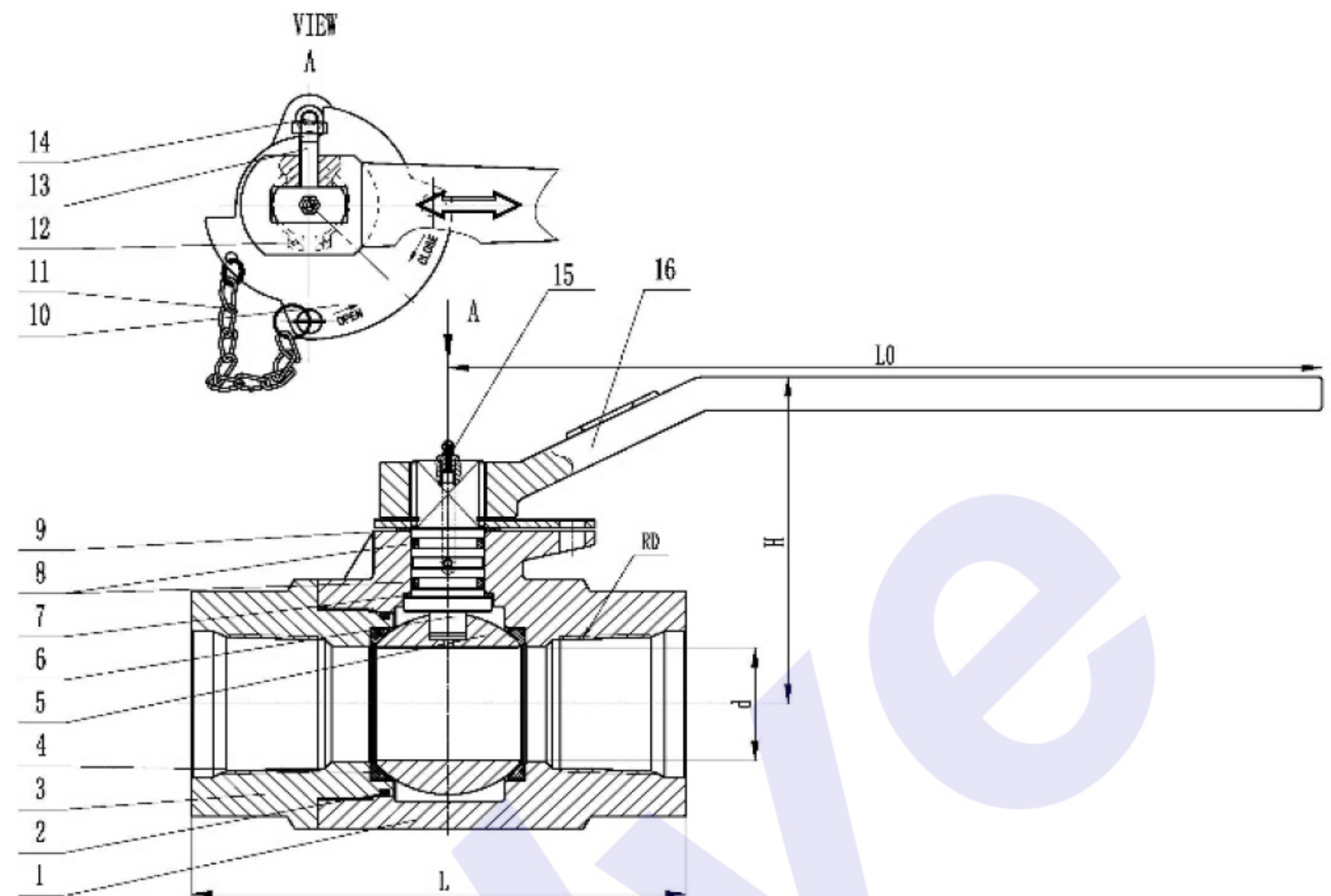
This is a ball valve for oil field, including a ball valve body and a valve tube. The left and right sides of the ball valve body are equipped with valve tubes. The right side of the inner cavity of the ball valve body is equipped with a second slide rail. The valve rod runs through the ball valve body. A stable block is installed at the top of the valve rod, a handwheel is fixedly installed at the top of the stable block, and a limit device is installed in the inner cavity of the valve rod.

Structural Features

2000 3000 3600 W.O.G.FULL PORT
STAINLESS STEEL/CARBON STEEL BODY
BLOW OUT PROOF STEM
DELTRIN SEAT
INSPECTION AND TEST:API598
THREADS CONFORM TO API 5B
NACE MR-01-75

KOSEN OIL FIELD STAINLESS STEEL BALL VALVE

KBS-FP SERIES



Materials of main parts

No	Part	Material	
1	BODY	ASTM A351 CF8M	ASTM A216 WCB
2	BODY SEAL	VITON	VITON
3	BOONET	ASTM A351 CF8M	ASTM A216 WCB
4	SEATS	DELRIN	DELRIN
5	BALL	ASTM A182 F316	ASTM A276 420
6	STEM	ASTM A276 316	ASTM A276 420
7	STEM BEARING	PTFE	PTFE
8	STEM SEAL	VITON	VITON
9	THRUST BEARING	PTFE	PTFE
10	STOP PLATE	STAINLESS STEEL	CS+Ni
11	PIN WITH CHAIN	STAINLESS STEEL	STAINLESS STEEL
12	RETAINER RING	STAINLESS STEEL	SPRING STEEL
13	BOLTS	STAINLESS STEEL	SPRING STEEL
14	STOP SCREW	STAINLESS STEEL	CARBON STEEL
15	GREASE ZERK	CARBON STEEL	CARBON STEEL
16	HANDLE	DUCTILE IRON	DUCTILE IRON

Dimensions(in)

Size	Port	Pressure	L	H	d	NPT	L0	Weight (Lbs)	Torque (in.Lb)
2-3/8"	FP	3600PSI	8.5	5.9	2.07	2-3/8"	15	29.54	2035
2-7/8"	FP	3600PSI	8.5	6.35	2.56	2-7/8"	15	45.75	3200