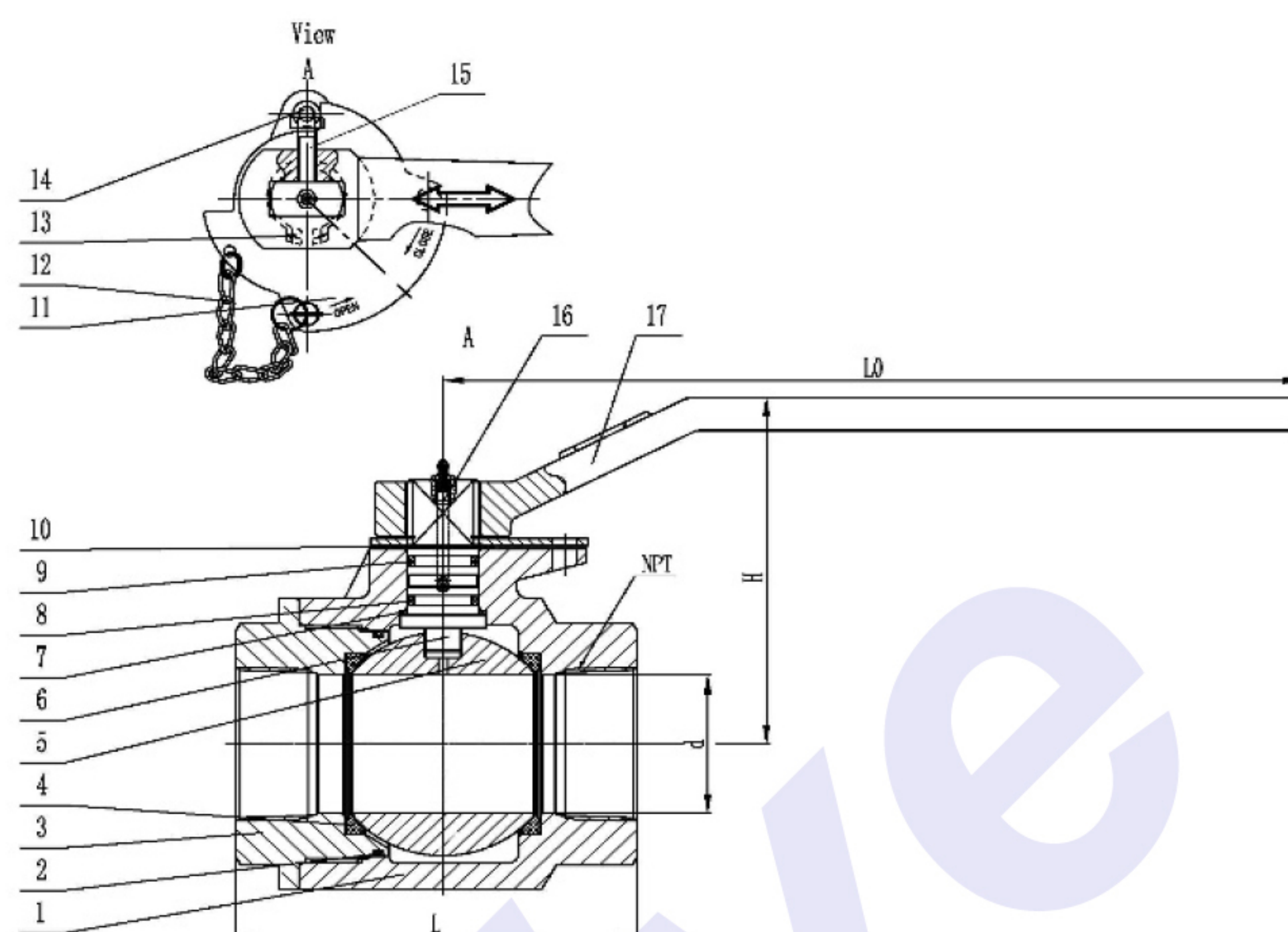
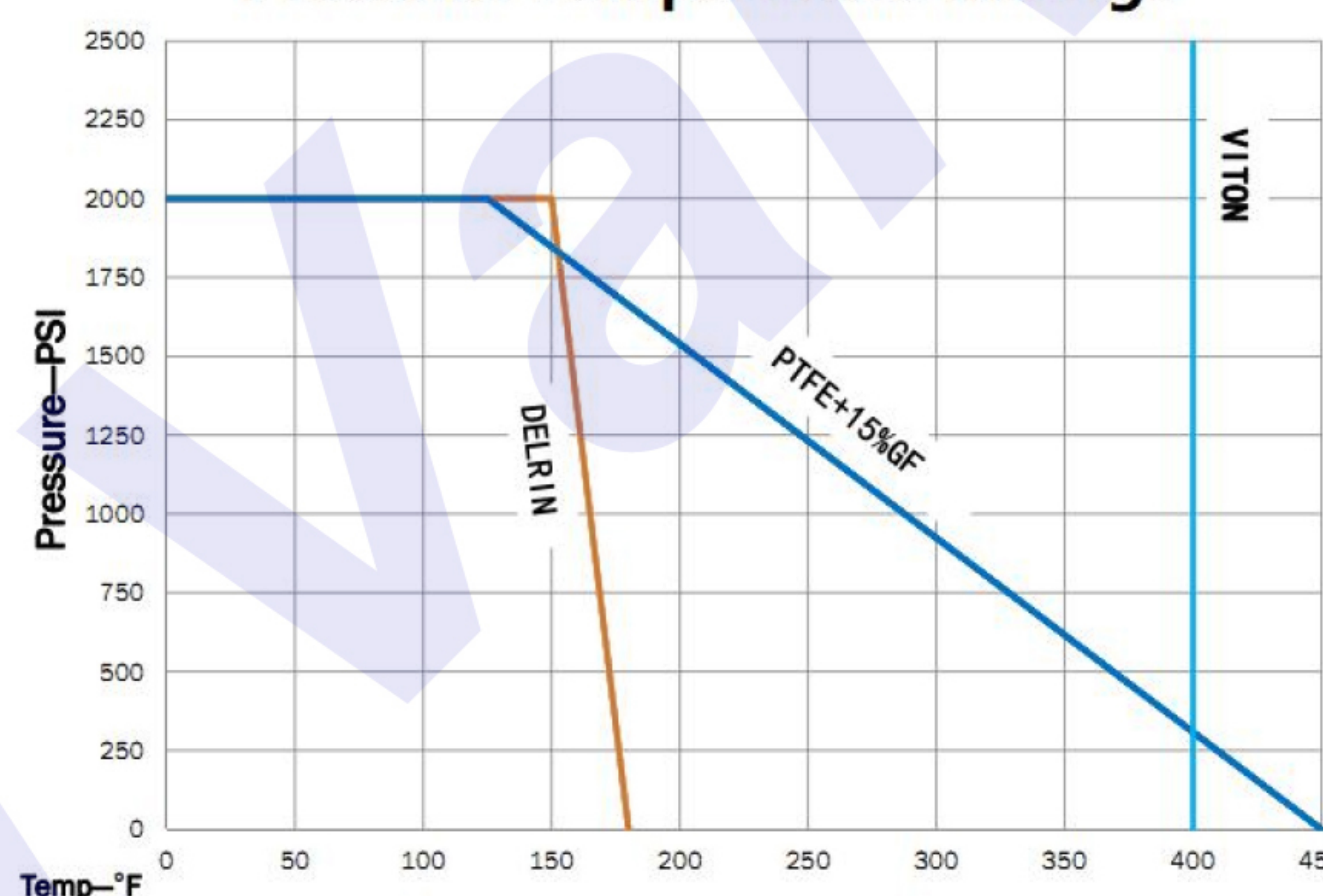


## KD-FP SERIES



**Pressure Temperature Ratings**



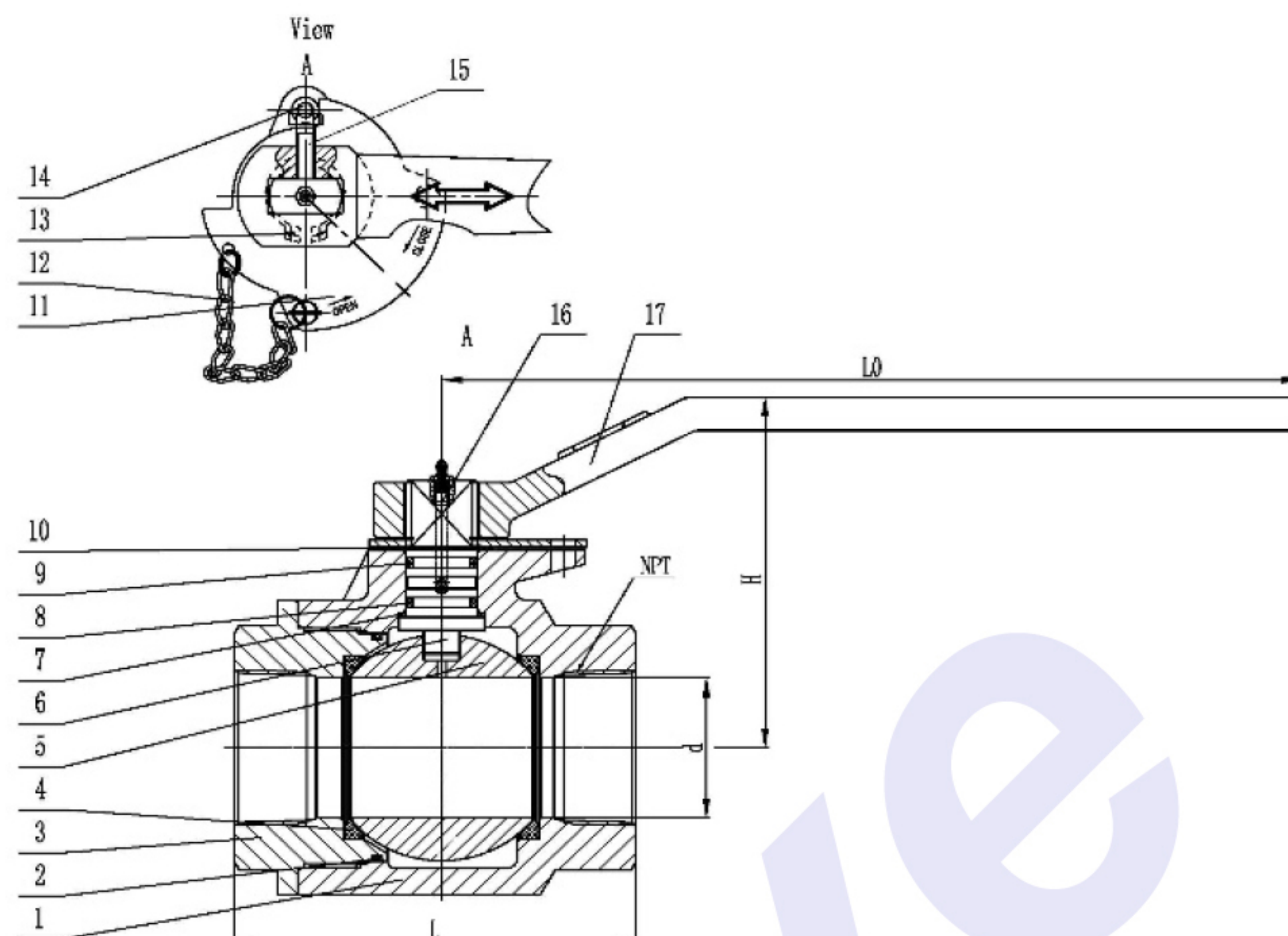
### Product Description

This is a ball valve for oil field, including a ball valve body and a valve tube. The left and right sides of the ball valve body are equipped with valve tubes. The right side of the inner cavity of the ball valve body is equipped with a second slide rail. The valve rod runs through the ball valve body. A stable block is installed at the top of the valve rod, a handwheel is fixedly installed at the top of the stable block, and a limit device is installed in the inner cavity of the valve rod.

### Structural Features

- Lever Operated, Threaded
- Floating Ball, 2000 W.O.G. Full Port
- Blow-Out Proof Stem
- Fire Safe Design
- Rugged Locking Device
- Grease Fitting
- NACE MR-0175 Compliant
- Inspect and Test: API 598
- Nominal Pressure 2000
- Shell Test (by Water) 3000
- Shell Test (by Water) 2200
- Seal Test (by Air) 60 ~ 100
- NPT end connection conforms to ANSI B1.20.1, BS21, DN 259/2999
- Temperature Range -10°C (14°F) ~ 180°C (356°F)

## KD-FP SERIES



### Materials of main parts

| No | Part           | Material            |
|----|----------------|---------------------|
| 1  | BODY           | ASTM A395 DI        |
| 2  | BODY SEAL      | VITON               |
| 3  | BOONET         | ASTM A395 DI        |
| 4  | SEATS          | PTFE+15%GF          |
| 5  | BALL           | SS420, SS304, SS316 |
| 6  | STEM           | ASTM A276 420       |
| 7  | THRUST BEARING | PTFE                |
| 8  | STEM SEAL      | VITON               |
| 9  | STEM SEAL      | VITON               |
| 10 | STEM BEARING   | PTFE                |
| 11 | STOP PLATE     | CS+Ni               |
| 12 | PIN WITH CHAIN | STAINLESS STEEL     |
| 13 | RETAINER RING  | SPRING STEEL        |
| 14 | STOP PIN       | SPRING STEEL        |
| 15 | HEXAGON BOLTS  | CARBON STEEL        |
| 16 | GREASE ZERK    | CARBON STEEL        |
| 17 | HANDLE         | DUCTILE IRON        |

### Dimensions(in)

| Size   | Port | Pressure | L    | H    | d    | NPT  | Lo   | Weight (Lbs) | Torque (in.Lb) |
|--------|------|----------|------|------|------|------|------|--------------|----------------|
| 1"     | FP   | 2000PSI  | 4.02 | 3.43 | 1    | 11.5 | 6.7  | 4.25         | 710            |
| 2"     | FP   | 2000PSI  | 6    | 5.51 | 2    | 11.5 | 10   | 17.97        | 900            |
| 2-1/2" | FP   | 2000PSI  | 7    | 6.35 | 2.56 | 8    | 15   | 28.99        | 1200           |
| 3"     | FP   | 2000PSI  | 8.74 | 6.77 | 2.99 | 8    | 15   | 42.33        | 3600           |
| 4"     | FP   | 2000PSI  | 9.38 | 9.11 | 3.94 | 8    | 31.5 | 43.65        | 3600           |