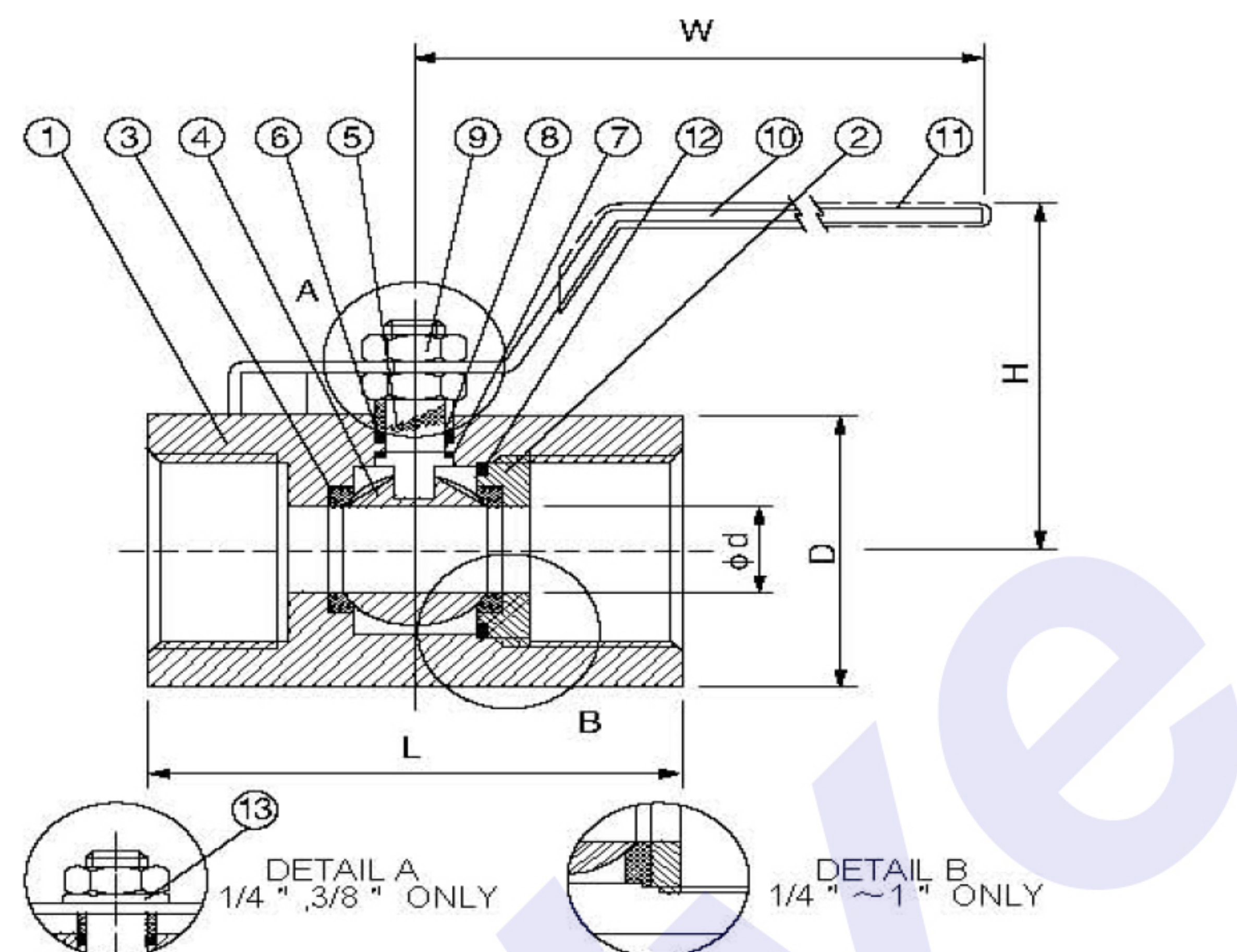
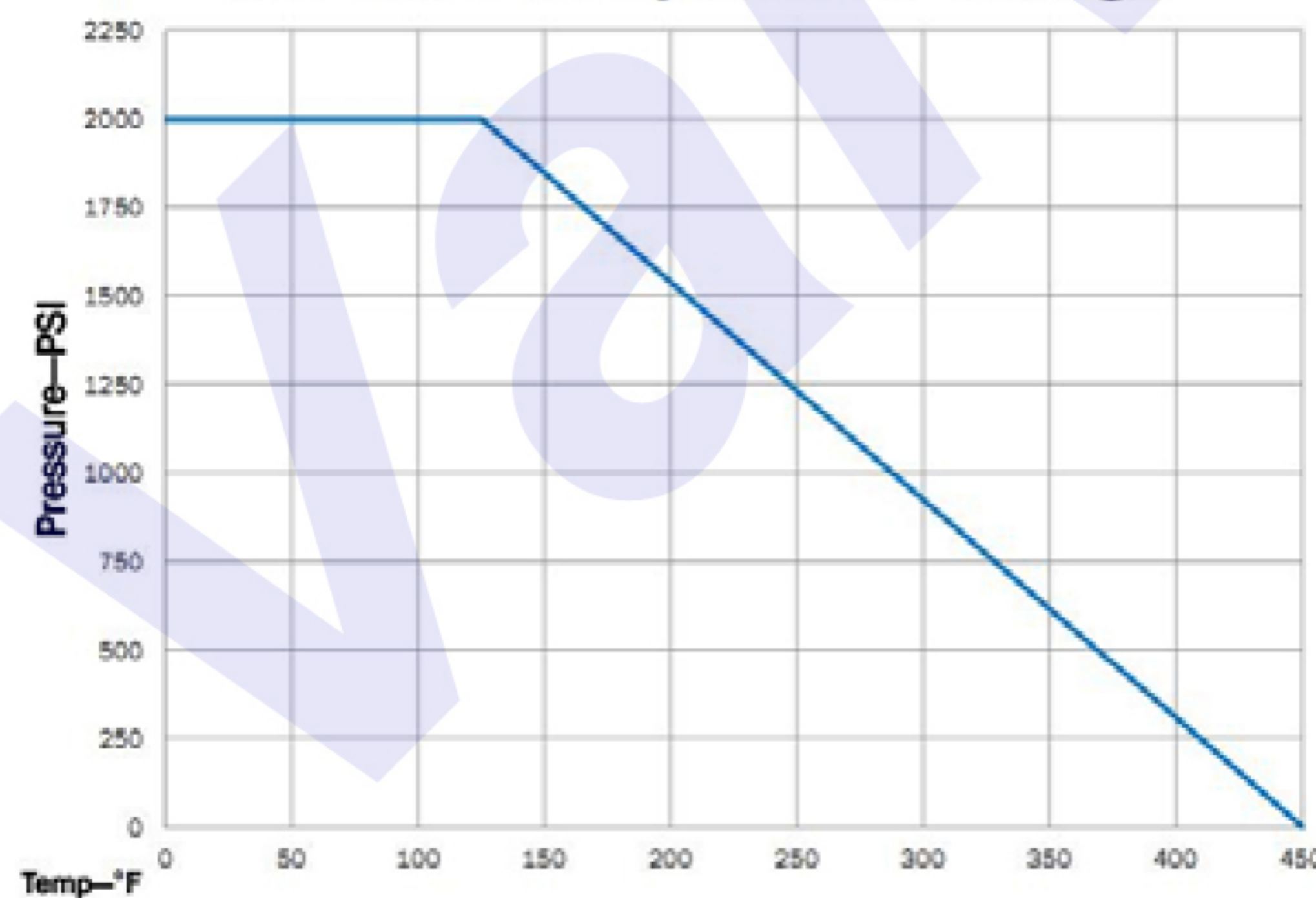


KBFC SERIES



Pressure Temperature Ratings



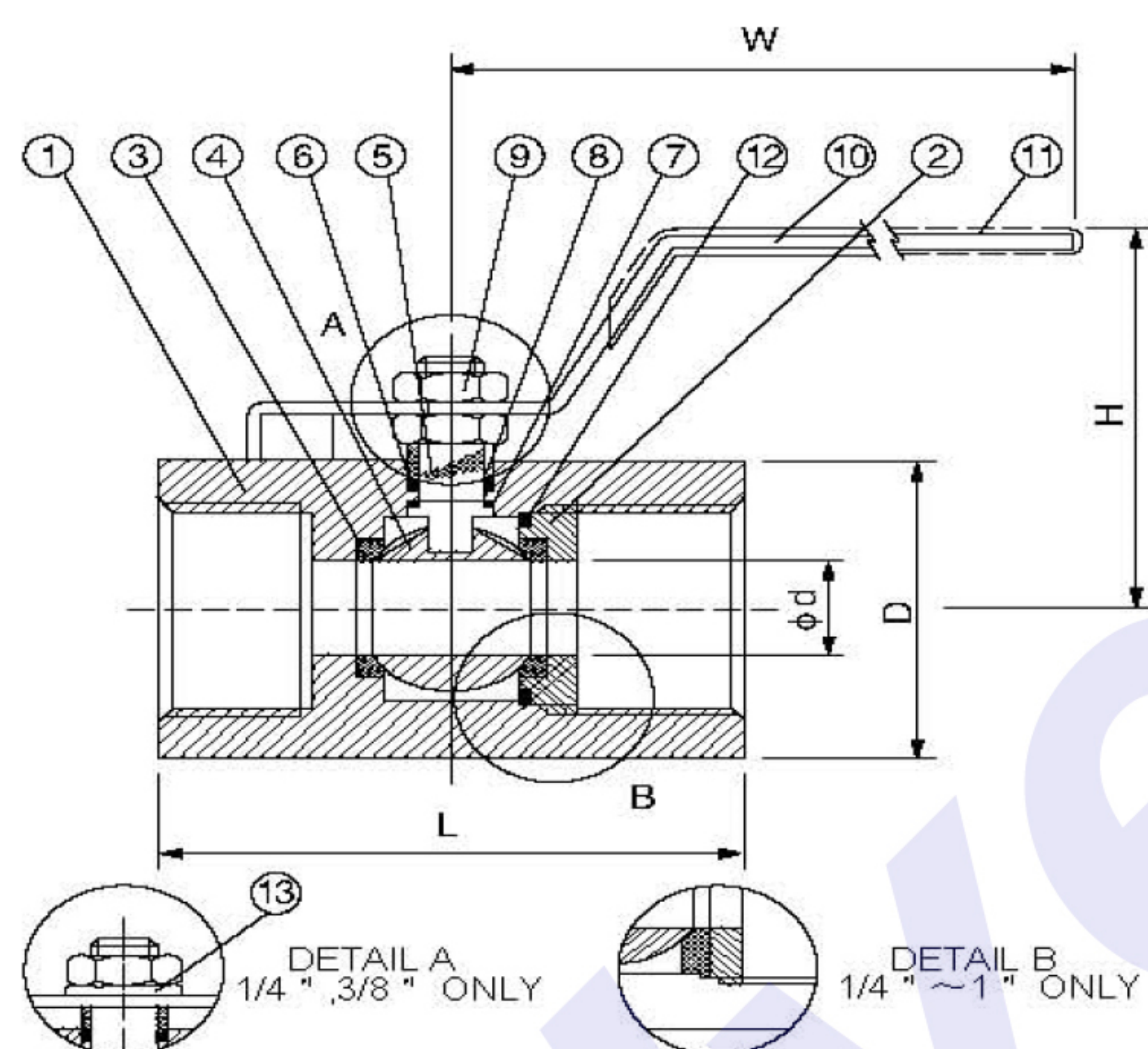
Product Description

2000PSI threaded high-pressure ball valve is mainly used for flow and stop in hydraulic, fluid and oil-gas pipelines. 2000PSI threaded high-pressure ball valve is mainly characterized by its compact structure, reliable sealing, simple structure, convenient maintenance, not easy to be eroded by media, easy operation and maintenance. This type of ball valve has the characteristics of small flow resistance loss, reliable sealing performance, convenient operation, beautiful appearance, etc.

Structural Features

- 1 Piece Body, Hexagon Type
- Threaded Ends to ANSI B1.20.1(NPT)
- Acc to ANSI B16.34, NACE MR-01-75
- 2000WOG, Reduced Bore
- Test API 598

KBFC SERIES



Materials of main parts

No	Part	Material
1	BODY	ASTM A105
2	CAP	ASTM A105
3	SEAT	RPTFE
4	BALL	SS316
5	STEM	SS316
6	PACKING	PTFE
7	THRUST WASHER	PTFE
8	GLAND	SS304
9	NUT	SS304
10	HANDLE	SS201
11	HANDLE COVER	PVC
12	GASKET	PTFE
13	SPRING WASHER	SS304

Dimensions(in)

Size	Port	Pressure	d	D	L	H	W	Weight (Lbs)	Torque (in.Lb)
1/4"	RP	2000PSI	0.20	0.83	1.70	1.25	2.63	0.29	42
3/8"	RP	2000PSI	0.28	0.98	1.86	1.33	2.63	0.44	42
1/2"	RP	2000PSI	0.36	1.18	2.46	2.19	4.65	0.71	49
3/4"	RP	2000PSI	0.49	1.42	2.75	2.42	4.65	1.19	73
1"	RP	2000PSI	0.63	1.81	3.38	2.57	4.72	2.09	113
1-1/4"	RP	2000PSI	0.79	2.17	3.69	2.90	5.75	3.09	253
1-1/2"	RP	2000PSI	0.96	2.40	4.00	3.10	5.75	3.75	288
2"	RP	2000PSI	1.26	2.95	4.50	3.54	6.00	6.13	391