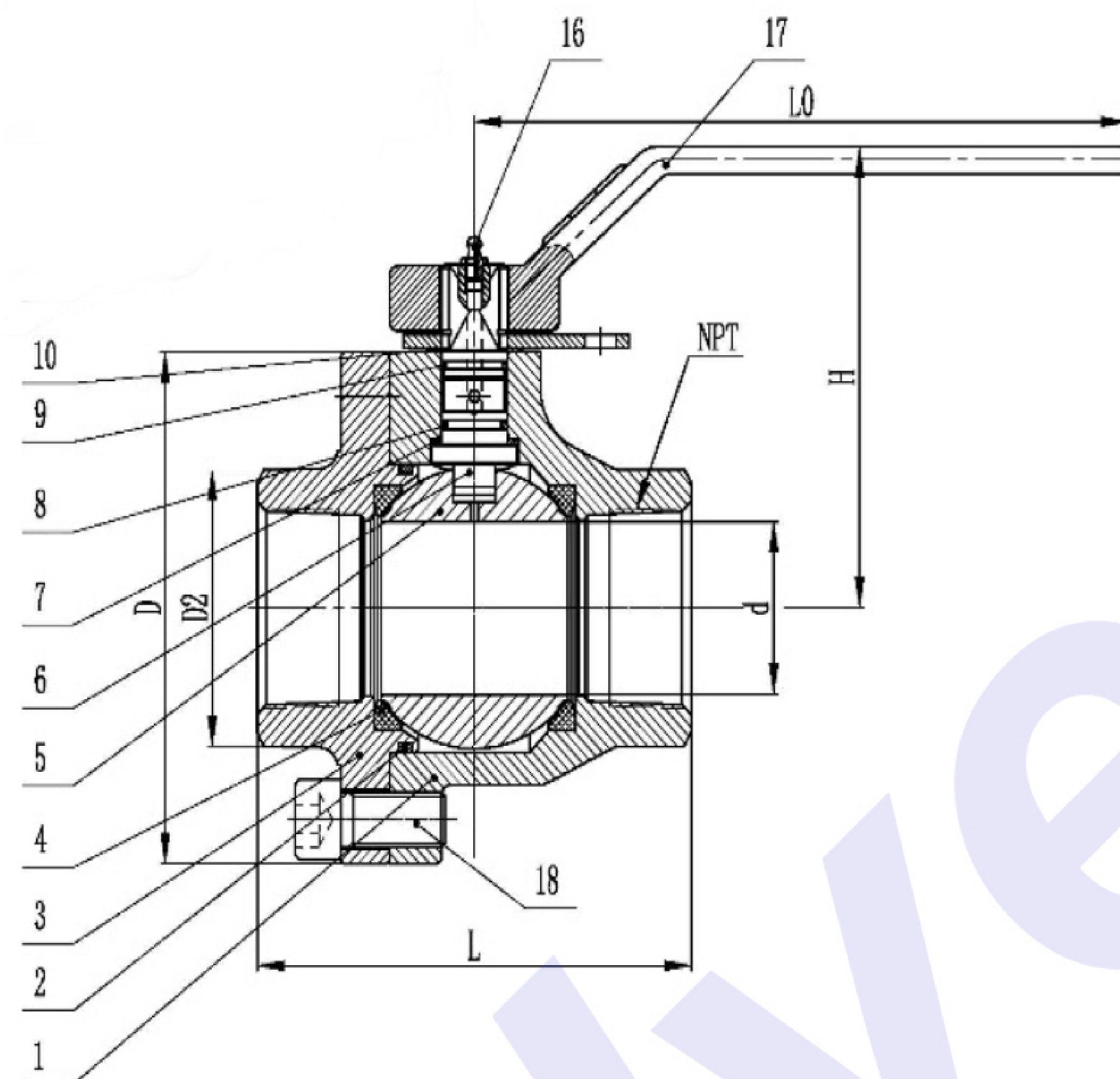
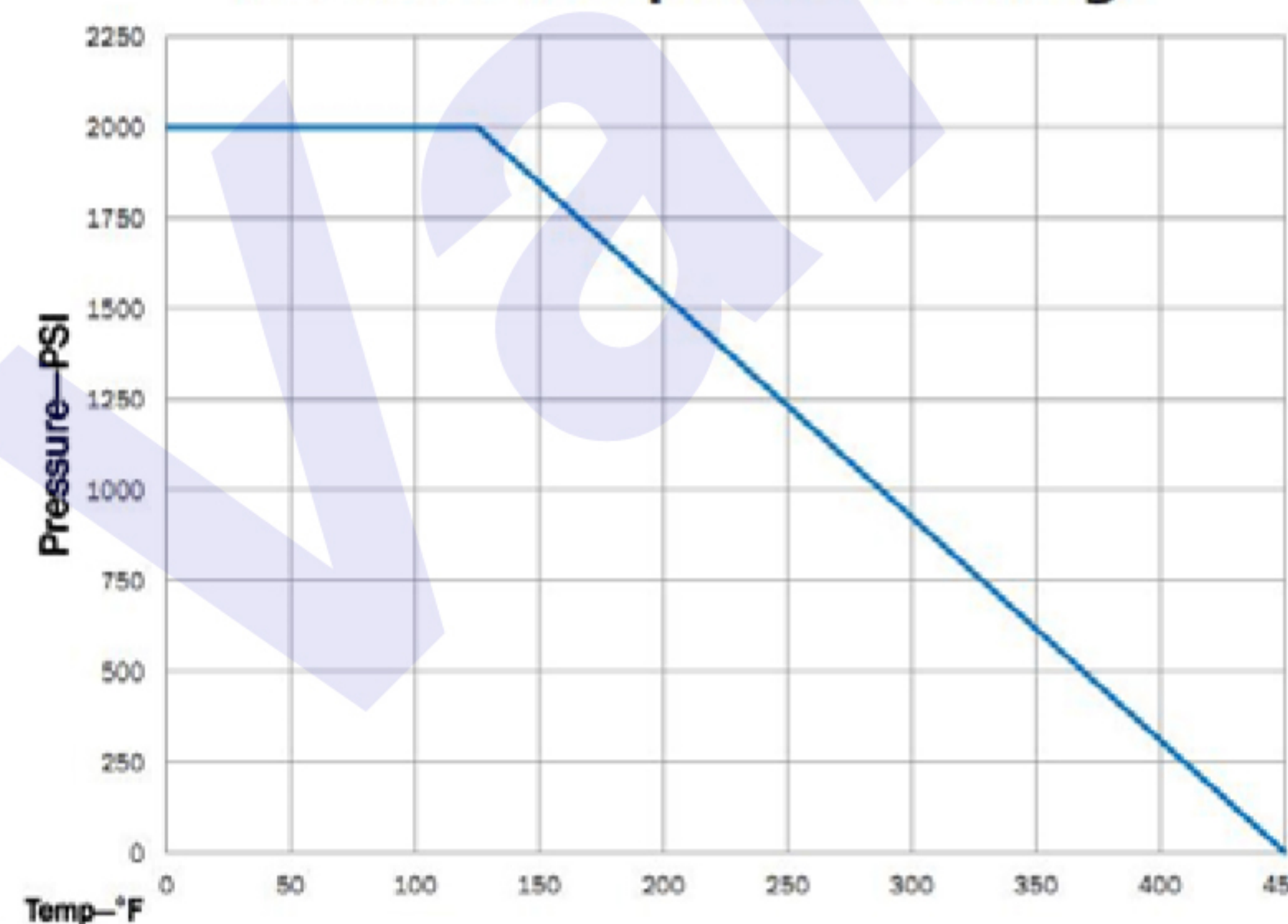


# KOSEN 2 PIECE FORGED STEEL BALL VALVE BOLTED 2000PSI

## KBB2F SERIES



Pressure Temperature Ratings



### Product Description

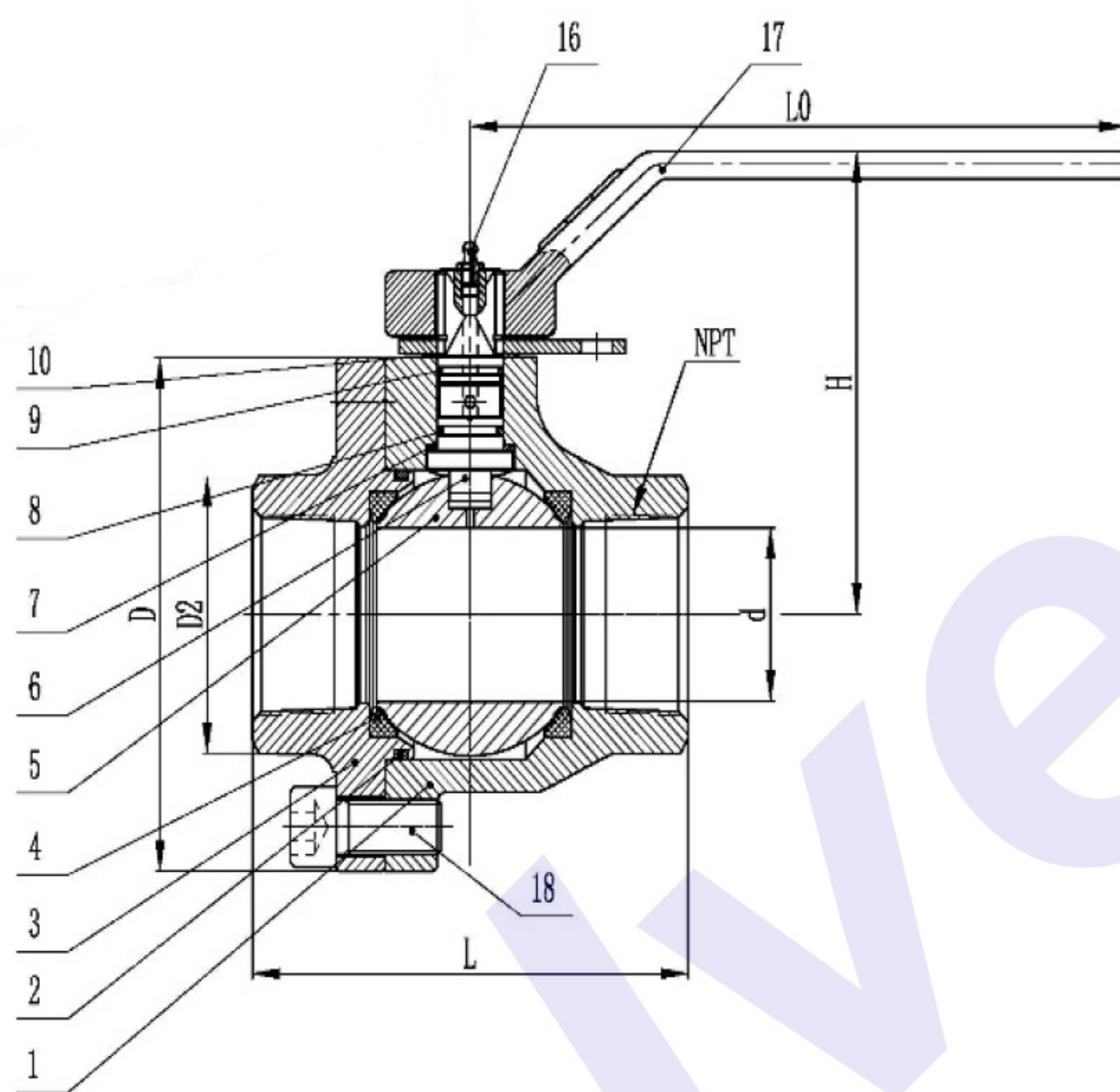
2000PSI threaded high-pressure ball valve is mainly used for flow and stop in hydraulic, fluid and oil-gas pipelines. 2000PSI threaded high-pressure ball valve is mainly characterized by its compact structure, reliable sealing, simple structure, convenient maintenance, not easy to be eroded by media, easy operation and maintenance. This type of ball valve has the characteristics of small flow resistance loss, reliable sealing performance, convenient operation, beautiful appearance, etc.

### Structural Features

- FULL PORT
- W.P: 1/4"~2" 2000 W.O.G
- 2 PIECE BODY
- BLOW OUT PROOF STEM
- PTFE/RPTFE SEAL AND PACKING
- LOCKING HANDLE
- THREADS CONFORM TO ASME B1.20.1(NPT)
- SEAL WELDED
- NACE MR0175



### KBB2F SERIES



#### Materials of main parts

No	Part	Material
1	BODY	ASTM A105N
2	BALL	SS316
3	BOONET	ASTM A105N
4	SEAT	RPTFE
5	THRUST WASHER	RPTFE
6	PACKING	PTFE
7	GLAND	SS304
8	STEM	SS316
9	SPRING WASHER	SS304
10	NUT	A2-70
11	LOCKING DEVICE	SS201
12	HANDLE	SS201

#### Dimensions(in)

Size	Port	Pressure	d	L	H	W	Weight (Lbs)	Torque (in.Lb)
1/4"	FP	2000PSI	0.4528	2.4606	2.1535	3.8976	0.75	42
3/8"	FP	2000PSI	0.4921	2.4606	2.1535	3.8976	0.71	42
1/2"	FP	2000PSI	0.5906	2.5106	2.2677	4.1732	0.82	49
3/4"	FP	2000PSI	0.7874	2.9531	2.4724	4.7638	1.21	73
1"	FP	2000PSI	0.9843	3.5528	2.7953	5.9055	2.03	113
1-1/4	FP	2000PSI	1.2598	4.0244	3.0827	5.9055	3.02	253
1-1/2	FP	2000PSI	1.4961	4.5571	3.5827	6.4961	4.78	288
2"	FP	2000PSI	1.9291	5.3150	3.9252	7.0866	8.02	391