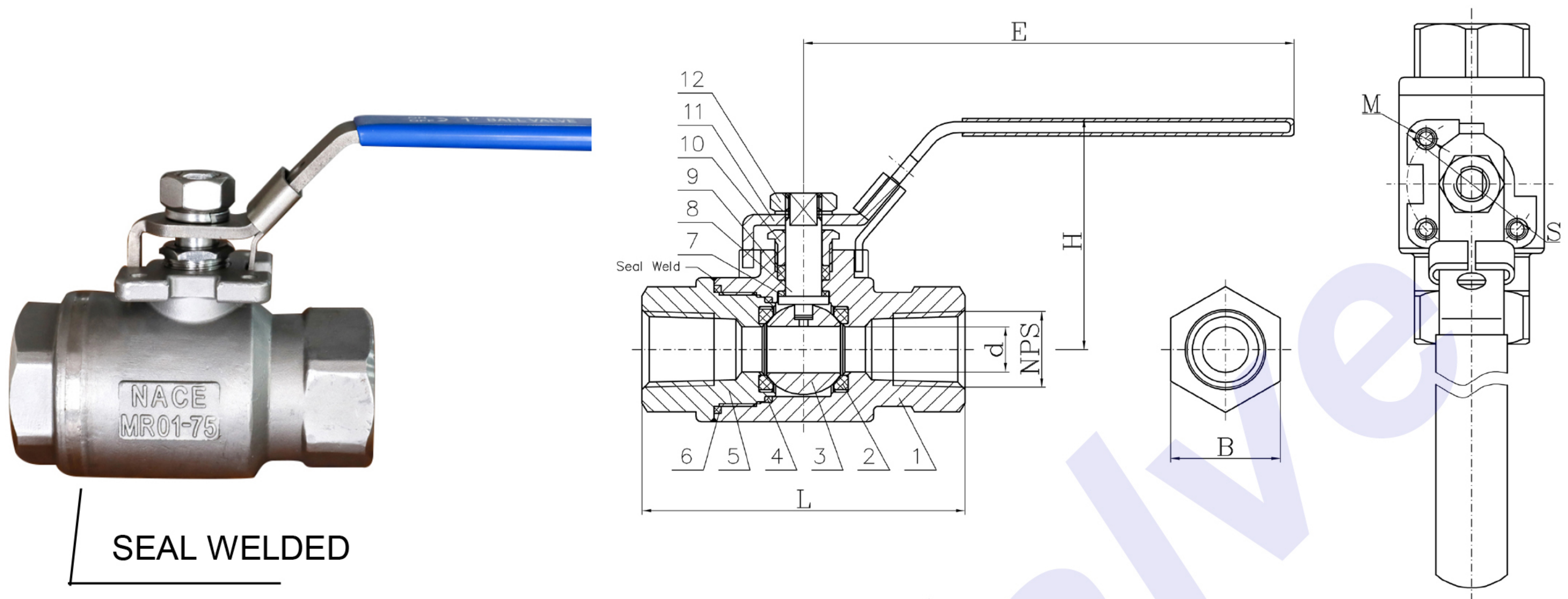


# KOSEN 2 PIECE STAINLESS STEEL BALL VALVE 3000PSI

## KB3S SERIES



SEAL WELDED

### Product Description

The valve body of 3000psi internal thread ball valve is cast by silica gel process, with reasonable structure and beautiful shape. 3000psi internal thread ball valve seat adopts elastic sealing structure, with reliable sealing and easy opening and closing. The valve rod adopts a bottom mounted structure with inverted seal. When the valve chamber is abnormally pressurized, the valve rod will not be rushed out. Applicable to PN10 ~ 12.5mpa, working temperature  $-29\sim 18\text{ }^{\circ}\text{C}$  (the sealing ring is reinforced polytetrafluoroethylene) or  $-29\sim 300\text{ }^{\circ}\text{C}$  (the sealing ring is aligned polystyrene), 3000psi internal thread ball valve is used to cut off or connect the medium in the pipeline. Different materials are selected, which can be applied to water, steam, oil, nitric acid, acetic acid and other media respectively.

### Structural Features

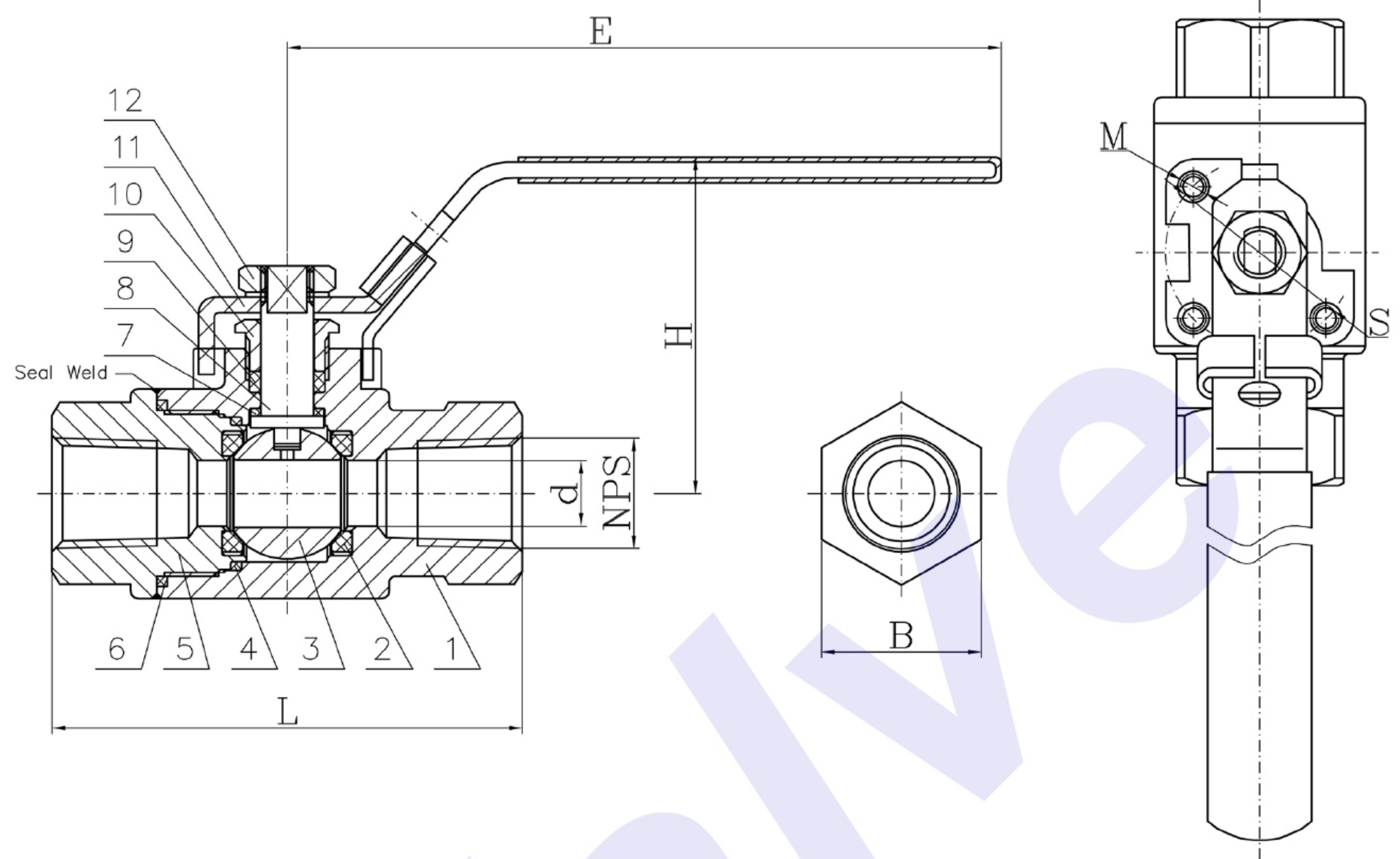
- 2-Piece Threaded, Full Port  $\frac{1}{4}$ " – 2"
- Seal weld construction
- ASTM A351 CF8M
- Rating of 3000 CWP
- NACE MR-01-75 complaint
- Tested to API 598
- Locking device handle
- NPT Threaded Ends comply to ANSI B1.20.1
- Blowout proof Ball Valve stem
- Anti-static Ball Valve device
- Mounting pad

# KOSEN 2 PIECE STAINLESS STEEL BALL VALVE 3000PSI

## KB3S SERIES



SEAL WELDED



### Materials of main parts

No	Part	Material
1	BODY	ASTM A351 CF8M
2	SEAT	DELFIN, PEEK
3	BALL	SS316
4	WASHER	SS316
5	BONNET	ASTM A351 CF8M
6	GASKET	SS304
7	WASHER	GRAPHITE
8	STEM	SS316
9	PACKING	RPTFE
10	GLAND	SS304
11	HANDLE	SS201+PVC
12	NUT	A2-70

### Dimensions(mm)

Size	Port	Pressure	d	L	H	S	M	E
1/4"	FP	3000PSI	10	76	62	36	M5	145
3/8"	FP	3000PSI	12.7	76	62	36	M5	145
1/2"	FP	3000PSI	12.7	90	62	36	M5	145
3/4"	FP	3000PSI	19	100	73	42	M5	180
1"	FP	3000PSI	25	118	80	50	M6	190
1-1/2"	FP	3000PSI	38	135	115	70	M8	250
2"	RP	3000PSI	38	140	115	70	M8	250