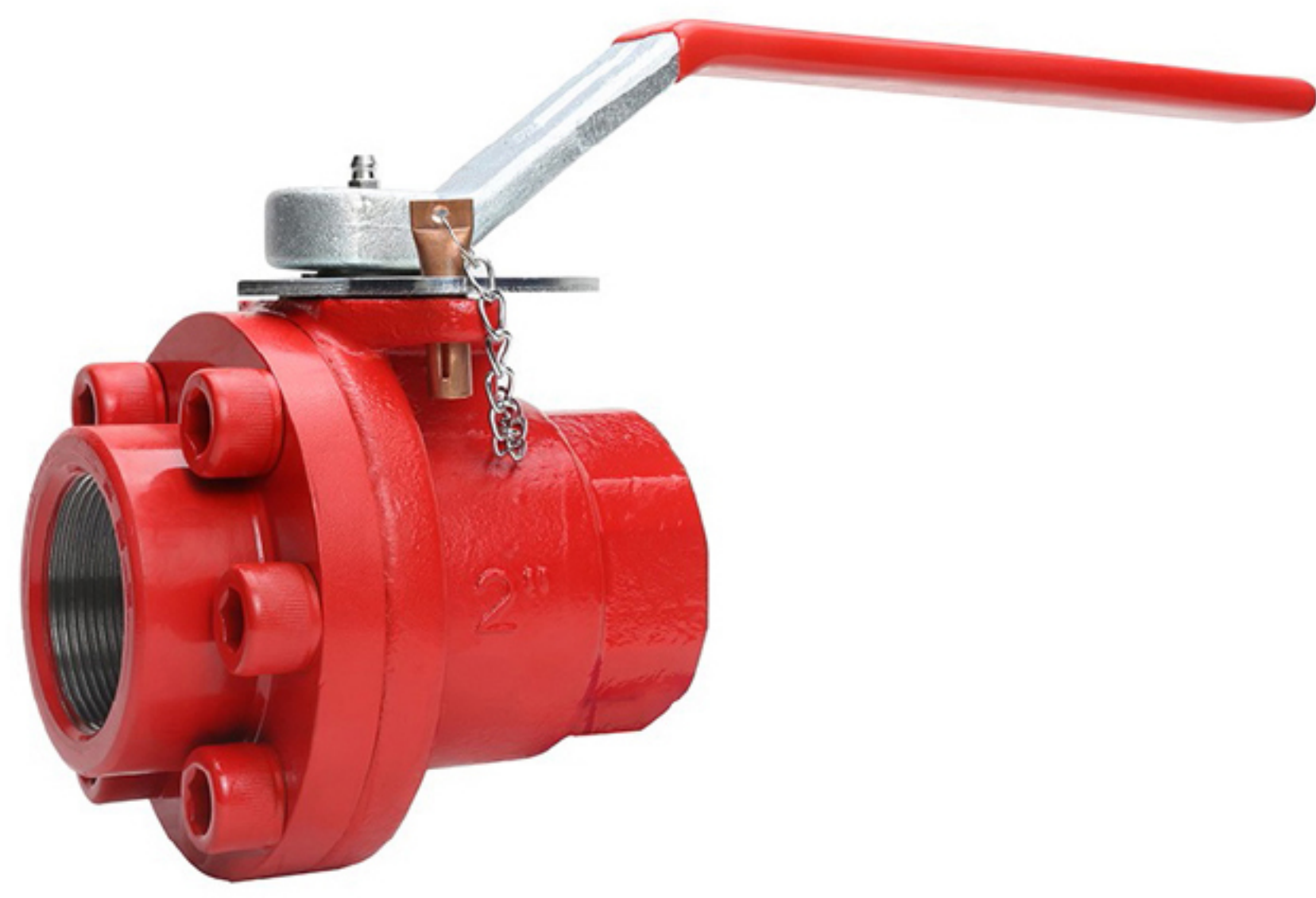


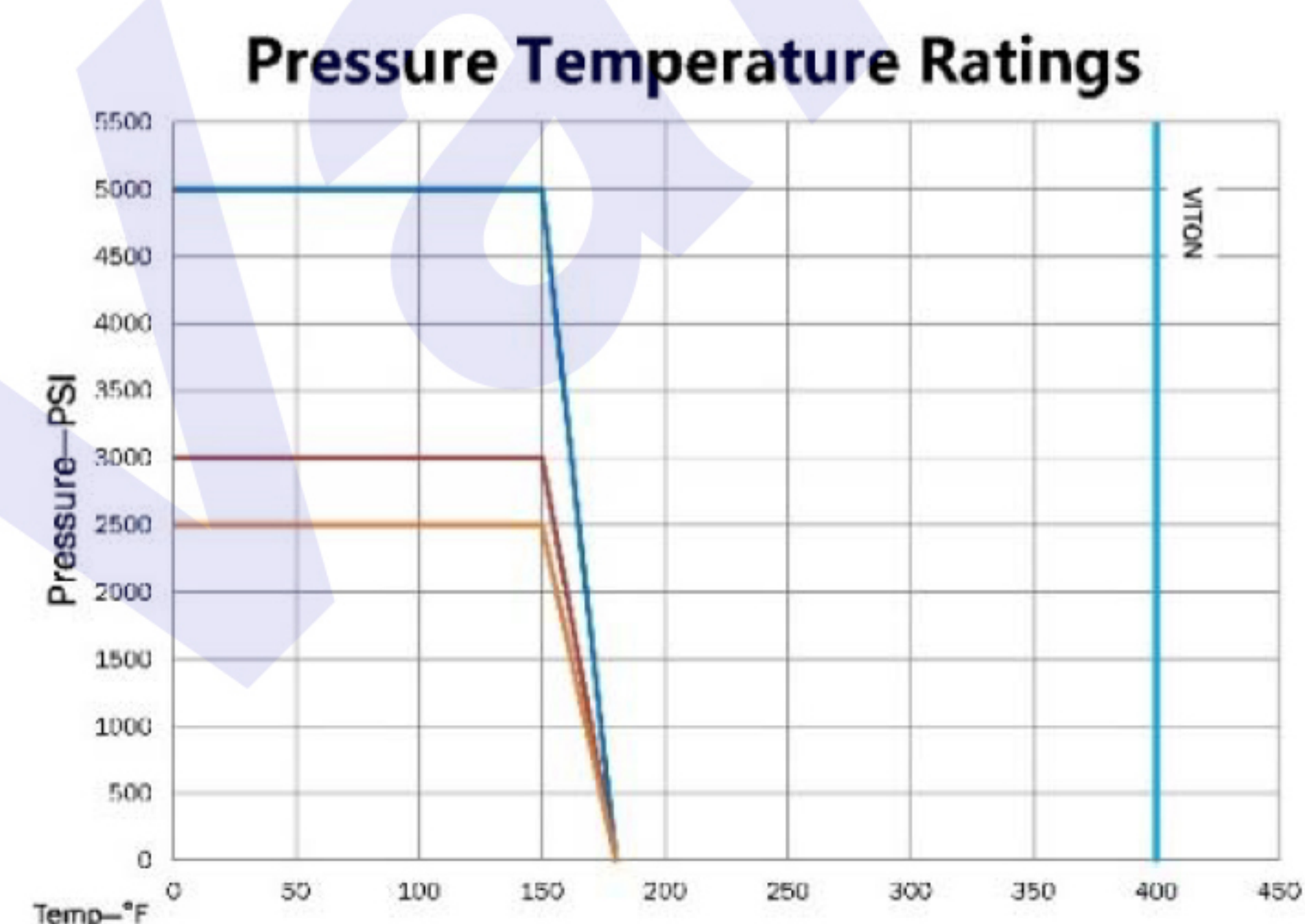
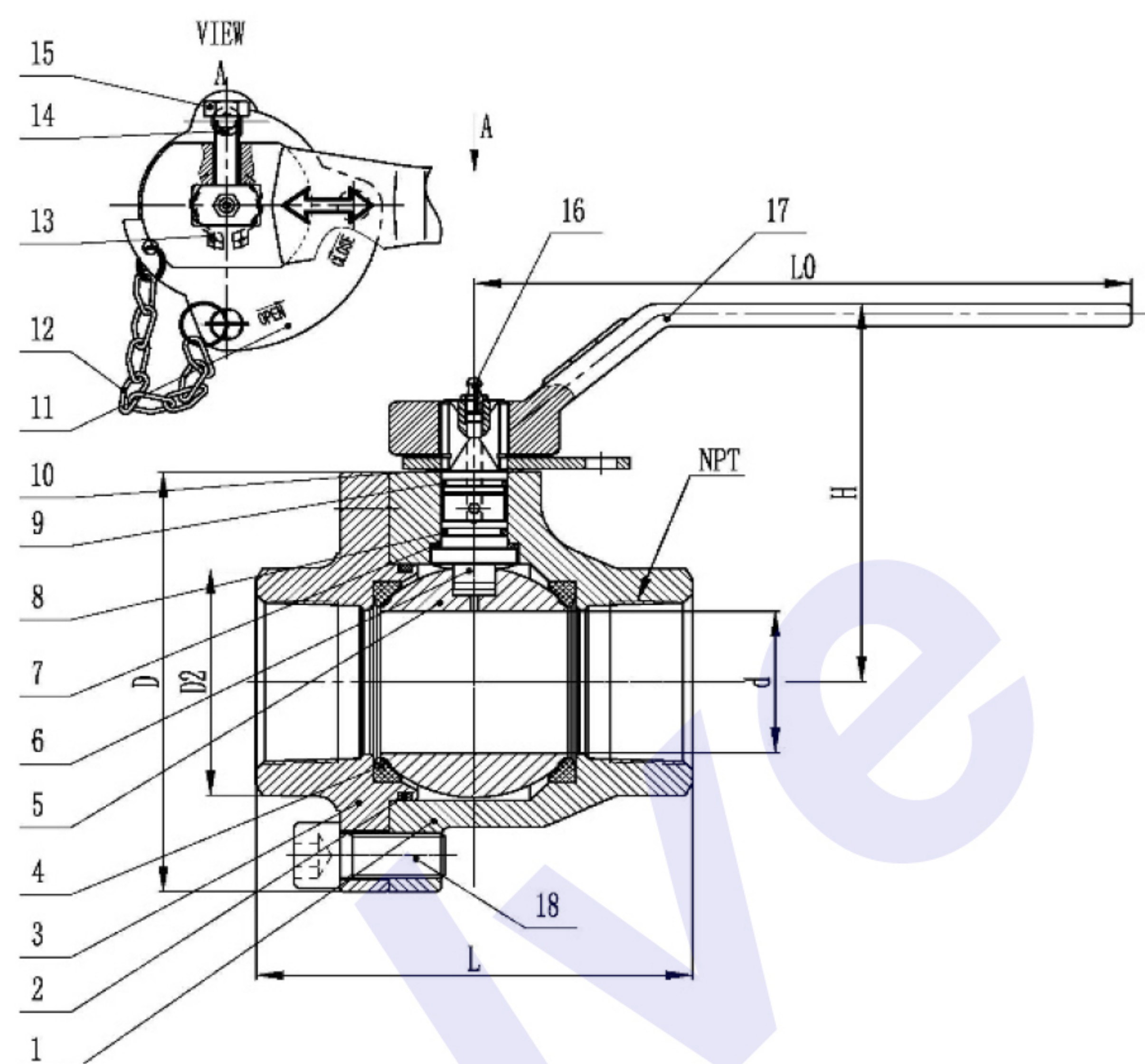
KBC-RP/FP SERIES



WCB



4C



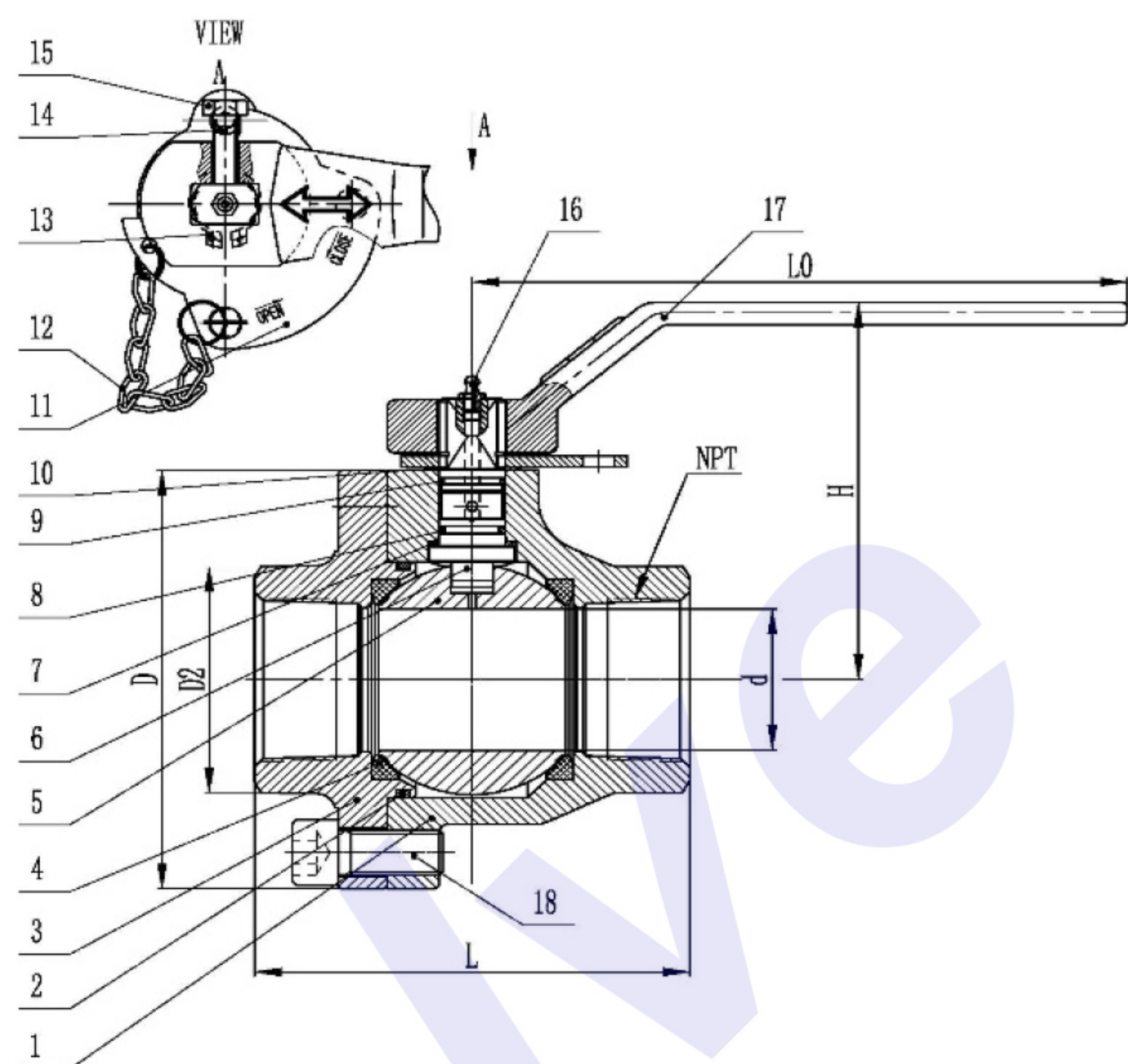
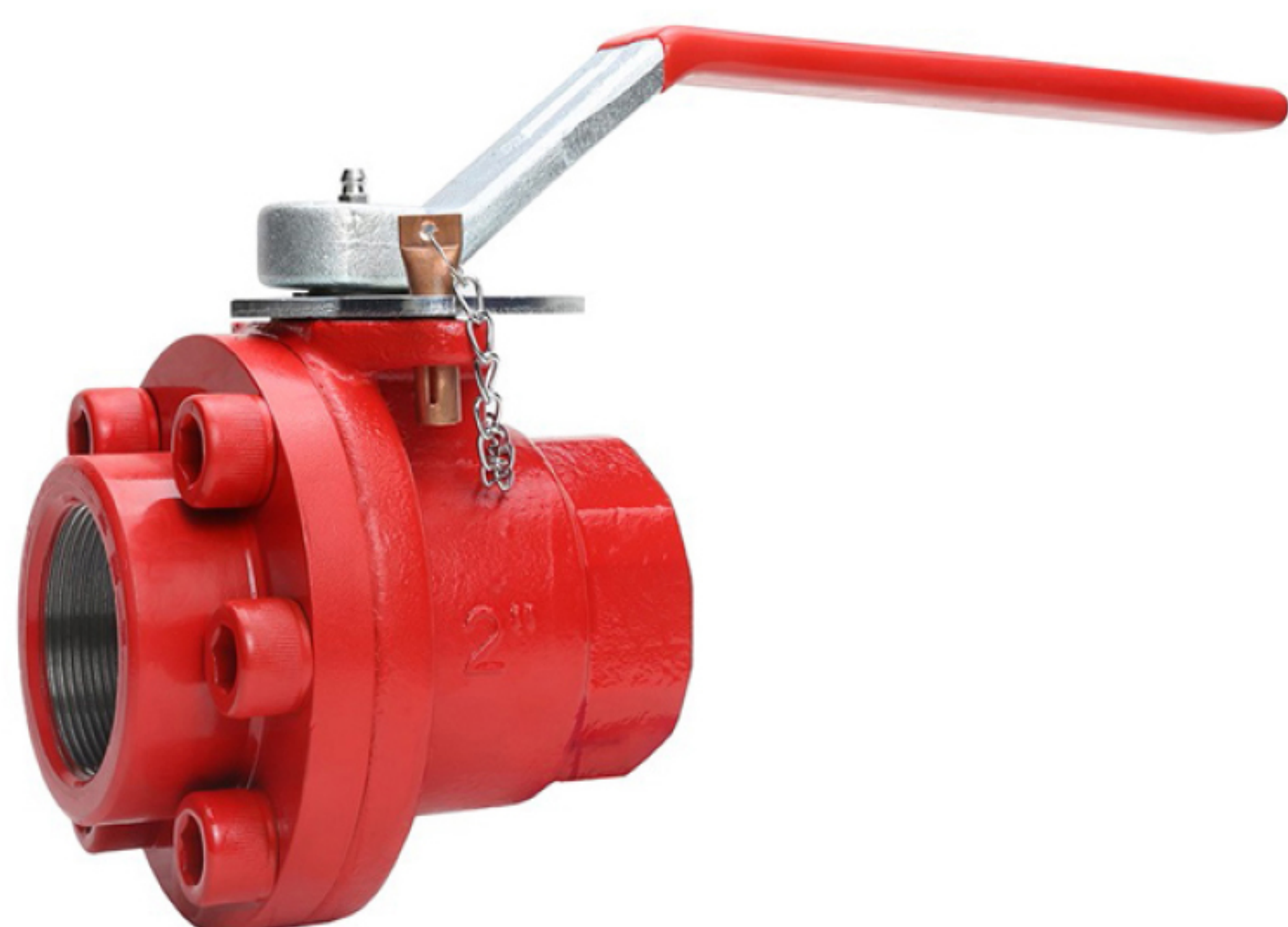
Product Description

This is a ball valve for oil field, including a ball valve body and a valve tube. The left and right sides of the ball valve body are equipped with valve tubes. The right side of the inner cavity of the ball valve body is equipped with a second slide rail. The valve rod runs through the ball valve body. A stable block is installed at the top of the valve rod, a handwheel is fixedly installed at the top of the stable block, and a limit device is installed in the inner cavity of the valve rod.

Structural Features

- Back-seated stem blow out proof and fire safe
- External stem lubrication and vented weather seal
- SS trim for maximum corrosion protection
- Available in both full and reduced port configurations
- Ball includes pressure equalization hole to prevent trapped pressure in the body cavity
- Standard locking handle to meet safety and security concerns with double locking feature for tank valves
- NACE MR0175
- Inspection and Test:API598
- 2500,3000 psi body with WCB material. 2RP, 2FP,3FP 5000 psi body with 4C material

KBC-RP/FP SERIES



Materials of main parts

No	Part	Material	
1	BODY	ASTM A216 WCB	ASTM A487 4C
2	BODY SEAL	VITON	
3	BOONET	ASTM A216 WCB	ASTM A487 4C
4	SEATS	DELRIN	
5	BALL	ASTM A276 420	
6	STEM	ASTM A276 420	
7	THRUST BEARING	PTFE	
8	STEM SEAL	VITON	
9	STEM SEAL	VITON	
10	STEM BEARING	PTFE	
11	STOP PLATE	CS+Ni	
12	PIN WITH CHAIN	STAINLESS STEEL	
13	RETAINER RING	SPRING STEEL	
14	STOP PIN	SPRING STEEL	
15	SCREW	CARBON STEEL	
16	GREASE ZERK	CARBON STEEL	
17	HANDLE	DUCTILE IRON	
18	CAP SCREW	A193 B7M	

Dimensions(in)

Size	Port	L	D	D2	d	H	Lo	Weight (Lbs)	Torque (in.Lb)
2"	RP	5.5	4.92	3	1.5	4.94	10	13.12	1750
2"	RP	5.5	4.92	3	1.5	4.94	10	13.12	2700
2"	FP	5.75	5.91	3.13	2	5.32	10	19.6	2350
2"	FP	5.75	5.91	3.13	2	5.32	10	19.6	3850
3"	FP	8.13	7.87	4.53	3	7.31	20	48.94	4100
3"	FP	8.13	7.87	4.53	3	7.31	31.5	49.93	7080